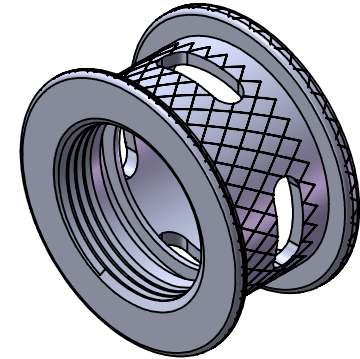
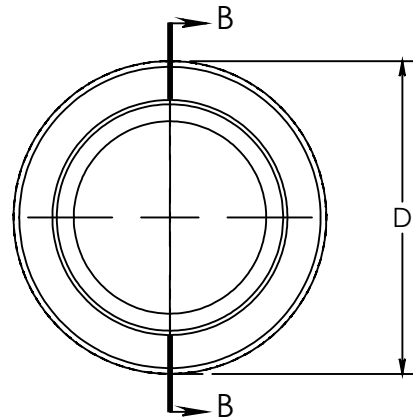
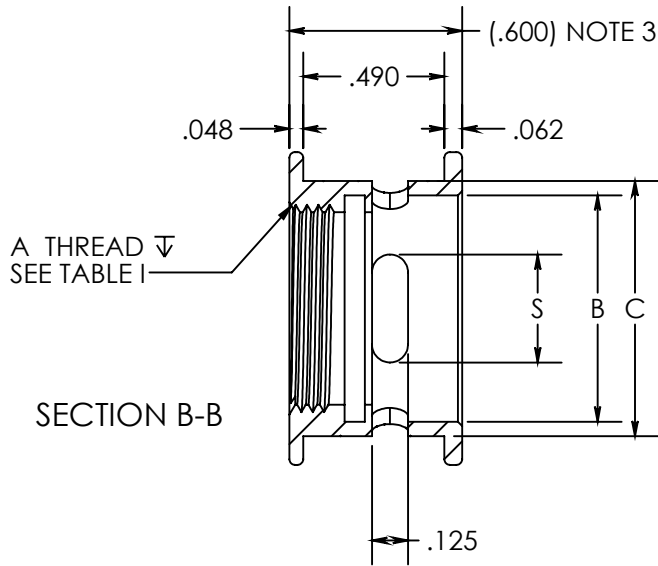


NOTES:

1. MATERIAL FINISH: AL ALLOY / SEE TABLE II.
2. ALL ADAPTERS COME WITH STAINLESS STEEL SPRING BAND, AND APPLICABLE O-RING.
3. "A" CODE DESIGNATOR LENGTH (.782)

REVISION HISTORY			
REV	DESCRIPTION	DATE	APPROVED
B	ADD QUICK TIE	02/14/18	02/14/18



PART NUMBER BREAKOUT: ISO SS H NF 13 -S -K

ISODYNE I.D. _____

PRODUCT SERIES _____

CONNECTOR DESIGNATOR _____

FINISH SEE ISO1000 _____

SHELL SIZE SEE TABLE I _____

SLOT, OMIT IF NOT NEEDED _____

QUICK TIE (OMIT IF NOT NEEDED) _____

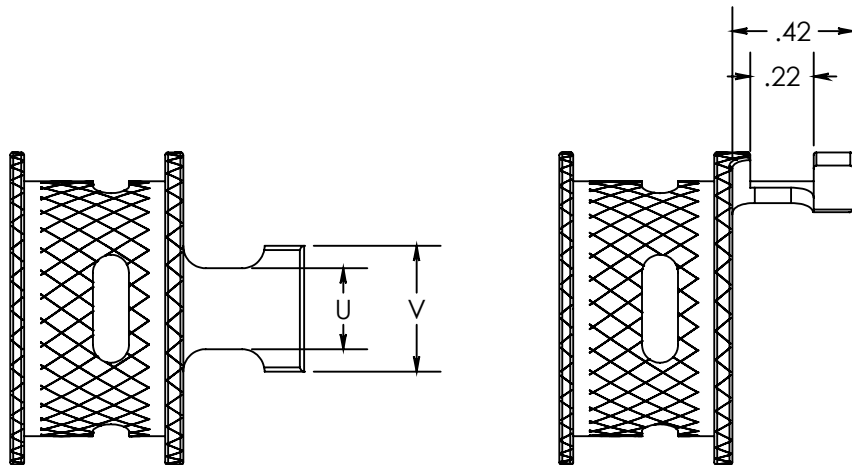
	NAME	DATE
DRAFTER	J. MANGUS	06/03/15
TOLERANCE: {UNLESS OTHERWISE NOTED}		
2 PLACE DEC ± .030		
3 PLACE DEC ± .015		
ANGULAR = ± 2°		
UNLESS OTHERWISE SPECIFIED DIMENSIONS ARE IN INCHES		



7706 E. OSIE - WICHITA, KS. 67207
www.isodyneinc.com
 U.S. PATENT # 5,769,665
 CAGE CODE # 031M6

SHELL SIZE CONN DES A	SHELL SIZE CONN DES F	SHELL SIZE CONN DES H	A THREAD	THREAD DEPTH FROM ADAPTER INTERFACE	B	C	D	S (#. OF SLOTS)	TORQUE IN/LBS ±5	V	U
8			1/2 - 20 UNF	0.225 +0.000 -0.022	0.550	0.650	0.850	(2) .250	72	0.375	0.219
	08/[09]		7/16 - 28 UNF	0.188 ±.015	0.530	0.630	0.830	(2) .250	72	0.375	0.219
		09	M 12 X 1 - 6H	0.177 ±.015	0.546	0.646	0.846	(2) .250	72	0.375	0.219
10			5/8 - 24 UNEF	0.225 +0.000 -0.022	0.680	0.780	0.980	(2) .375	108	0.375	0.219
	10/[11]		9/16 - 24 UNEF	0.188 ±.015	0.652	0.752	0.952	(2) .375	108	0.375	0.219
		11	M 15 X 1 - 6H	0.177 ±.015	0.665	0.765	0.965	(2) .375	108	0.375	0.219
12/7			3/4 - 20 UNEF	0.225 +0.000 -0.022	0.800	0.900	1.100	(4) .375	120	0.437	0.281
	12/[13]		11/16 - 24 UNEF	0.188 ±.015	0.764	0.864	1.064	(4) .375	120	0.437	0.281
		13	M 18 X 1 - 6H	0.177 ±.015	0.786	0.886	1.086	(4) .375	120	0.437	0.281
14/12			7/8 - 20 UNEF	0.225 +0.000 -0.022	0.922	1.022	1.222	(4) .375	144	0.437	0.281
	14/[15]		13/16 - 20 UNEF	0.188 ±.015	0.888	0.988	1.188	(4) .375	144	0.437	0.281
		15	M 22 X 1 - 6H	0.177 ±.015	0.934	1.034	1.234	(4) .375	144	0.437	0.281
16/19			1 - 20 UNEF	0.225 +0.000 -0.022	1.047	1.147	1.347	(4) .500	144	0.531	0.375
	16/[17]		15/16 - 20 UNEF	0.188 ±.015	1.013	1.113	1.313	(4) .500	144	0.531	0.375
		17	M 25 X 1 - 6H	0.177 ±.015	1.062	1.162	1.362	(4) .500	144	0.531	0.375
18/27			1-1/16 - 18 UNEF	0.225 +0.000 -0.022	1.105	1.205	1.405	(4) .500	144	0.531	0.375
	18/[19]		1-1/16 - 18 UNEF	0.188 ±.015	1.120	1.220	1.420	(4) .500	144	0.531	0.375
		19	M 28 X 1 - 6H	0.177 ±.015	1.176	1.276	1.476	(4) .500	144	0.531	0.375
20/37			1-3/16 - 18 UNEF	0.225 +0.000 -0.022	1.225	1.325	1.525	(4) .500	180	0.531	0.375
	20/[21]		1-3/16 - 18 UNEF	0.188 ±.015	1.245	1.345	1.545	(4) .500	180	0.531	0.375
		21	M 31 X 1 - 6H	0.177 ±.015	1.298	1.398	1.598	(4) .500	180	0.531	0.375
22			1-5/16 18 UNEF	0.225 +0.000 -0.022	1.354	1.454	1.654	(4) .750	180	0.625	0.469
	22/[23]		1-5/16 18 UNEF	0.188 ±.015	1.366	1.466	1.666	(4) .750	180	0.625	0.469
		23	M 34 X 1 - 6H	0.177 ±.015	1.415	1.515	1.715	(4) .750	180	0.625	0.469
24			1-7/16 - 18 UNEF	0.225 +0.000 -0.022	1.485	1.585	1.785	(4) .750	180	0.625	0.469
	24/[25]		1-7/16 - 18 UNEF	0.188 ±.015	1.477	1.577	1.777	(4) .750	180	0.625	0.469
		25	M 37 X 1 - 6H	0.177 ±.015	1.536	1.636	1.836	(4) .750	180	0.625	0.469

CONN DES	CONNECTOR SPECIFICATION	SERIES
H	MIL-C-38999	III & IV
F	MIL-C-38999	I & II
	40M38277	
	NFC 93422	HE 309
	NFC 93422	HE 308
	PAN 6433-1	
	PATT 614	
	PATT 616	
A	MIL-C-5015	MS3400
	MIL-C-26482	II
	MIL-C-83723	I & III
	DEF 5926-3	
	LN 29504	
	NFC 93422	HE 302
	PAN 6432-1	
	PAN 6432-2	HE 304
	PATT 602	HE 305



	NAME	DATE
DRAFTER	J. MANGUS	06/03/15
TOLERANCE: {UNLESS OTHERWISE NOTED}		
2 PLACE DEC ±.030		
3 PLACE DEC ±.015		
ANGULAR = ± 2°		
UNLESS OTHERWISE SPECIFIED DIMENSIONS ARE IN INCHES		



7706 E. OSIE - WICHITA, KS. 67207
www.isodyneinc.com
U.S. PATENT # 5,769,665
CAGE CODE # 031M6