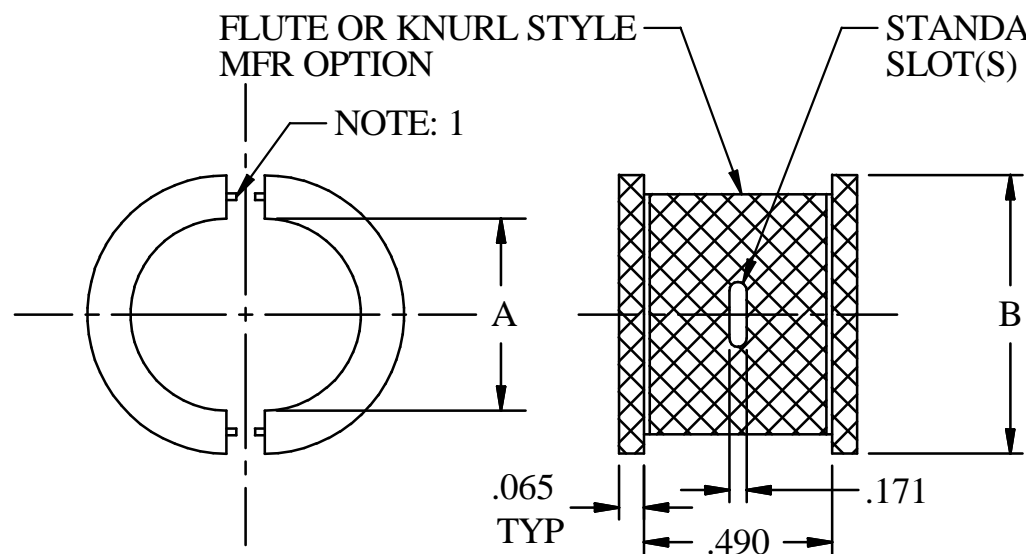


Note: Knurl width is standard to tool.



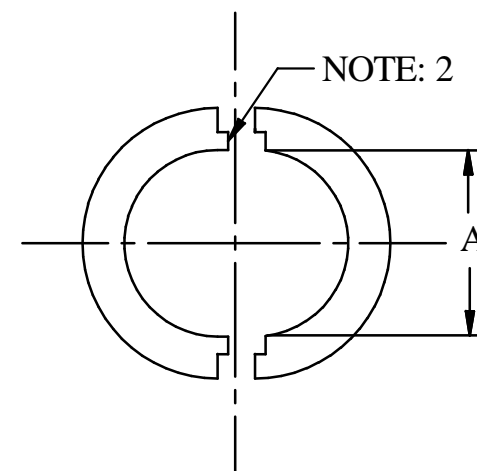
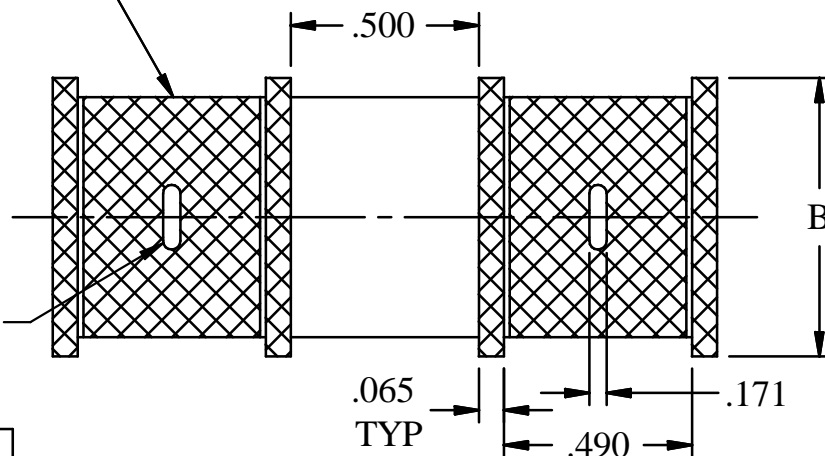
PART NUMBER DEVELOPMENT

EXAMPLE:
 PRODUCT SERIES ISO SKSS NF 4
 BASIC NO _____
 FINISH, SEE NOTE 1 _____
 DASH NUMBER, TABLE 1 _____

TABLE I			
DASH NO.	A ± .020	B ± .020	NO OF SLOTS
1	.250	.575	2
2	.375	.700	2
3	.500	.825	2
4	.750	1.075	2
5	1.000	1.325	2
6	1.250	1.575	2
7	1.500	1.825	2
8	1.750	2.075	2
9	2.000	2.325	2
10	2.250	2.575	2

FLUTE OR KNURL STYLE MFR OPTION

STANDARD ISODYNE SLOT(S)



PART NUMBER DEVELOPMENT

EXAMPLE:
 PRODUCT SERIES ISO SKSD NF 4
 BASIC NO _____
 FINISH, SEE NOTE 1 _____
 DASH NUMBER, TABLE 1 _____

ISODYNE INC

7706 E. OSIE - WICHITA, KS. 67207

U.S. PATENT # 5,769,665

CAGE CODE # 031M6

BACKSHELL, EMI / RFI
 SPRING BAND

NOTE:

1. PART # (SKSS) SHALL BE MATTED WITH PINS.
2. PART # (SKSD) SHALL BE MATTED WITH TONGUE & GROOVE.