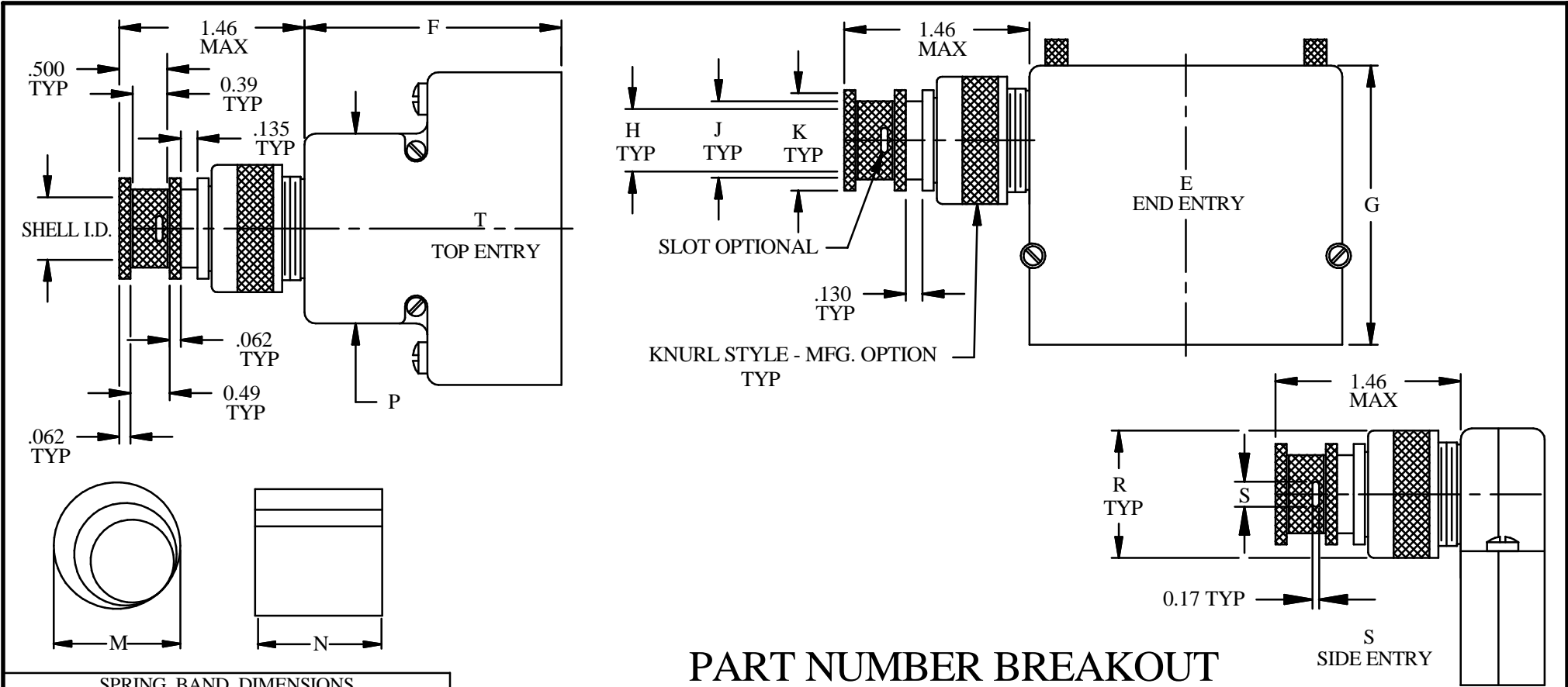


# DRAWING ISO 200 REV. "R"



SPRING BAND DIMENSIONS			
PART #	P	N	CABLE ENTRY
ISO - 100	0.36	0.37	02 THRU 33
ISO - 200	0.57	0.37	04 THRU 36
ISO - 400	0.78	0.37	07 THRU 09
ISO - 500	0.98	0.37	10 THRU 12
ISO - 600	1.25	0.37	13 THRU 16

**ISODYNE INC**

7706 E. OSIE - WICHITA, KS. 67207

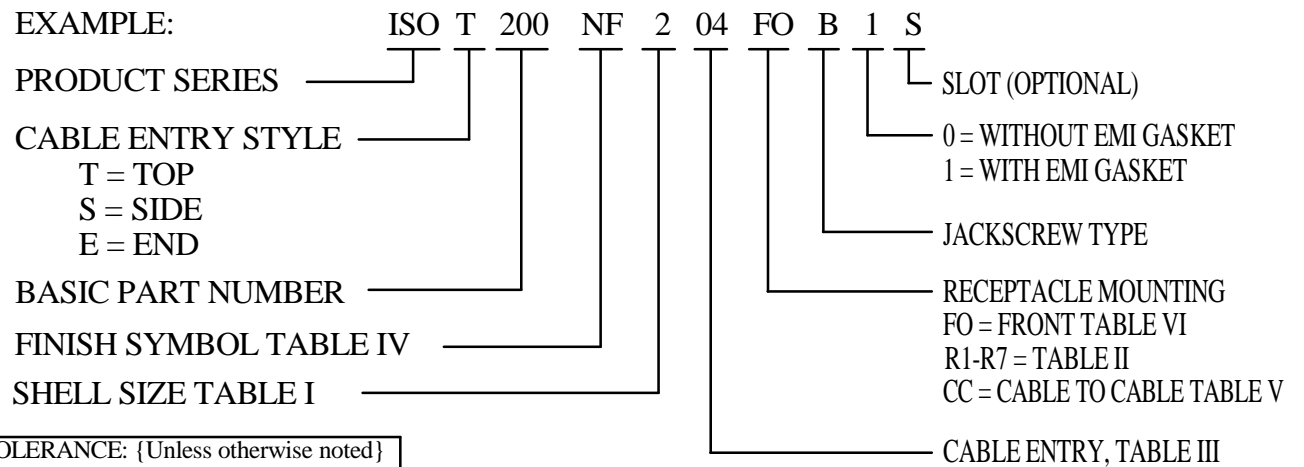
U.S. PATENT # 5,769,665

CAGE CODE # 031M6

**D SUB BACKSHELL, EMI / RFI  
SPRING BAND**

## PART NUMBER BREAKOUT

EXAMPLE:



TOLERANCE: {Unless otherwise noted}  
 2 PLACE DEC ± .030  
 3 PLACE DEC ± .015  
 ANGULAR ± 2°

ALL BACKSHELLS INCLUDE SPRING

# DRAWING ISO 200 REV. "R"

TABLE IV - MATL FINISH	
A	CADMIUM PLATE, BRIGHT DIP (QQ-P-416, TYPE 1, CLASS 3)
B	CADMIUM / OLIVE DRAB
C*	ANODIZE / BLACK
G*	HARD COAT
J	GOLD IRIDITE OVER CADMIUM PLATE OVER NICKEL
LF	CADMIUM PLATE / BRIGHT OVER ELECTROLESS NICKEL
M	ELECTROLESS NICKEL
N	CADMIUM PLATE / OLIVE DRAB OVER NICKEL
NF	CAD / OD OVER ELECTROLESS NICKEL ( 500 HR. SALT SPRAY )
T	CADMIUM PLATE / BRIGHT DMP OVER NICKEL
Y	IRIDITE, GOLD OVER CADMIUM PLATE (MIL-C-5541, CLASS 3 QQ-P-416, TYPE II, CLASS 3)
U**	CADMIUM PLATE / BLACK
Z1**	PASSIVATE SS
NT	NICKEL / TEFLON CONSULT FACTORY FOR DETAILS

\* NON - CONDUCTIVE FINISH - NOT SUITABLE FOR EMI / RFI SHIELDING APPLICATIONS.  
 \*\* APPLICABLE TO CORROSION RESISTING STEEL BACKSHELLS AND ACCESSORIES.

TABLE V						
SHELL SIZE	COML SHELL SIZE REF	A MAX.	B MAX.	C REF.	D ±.005	P REF
1	E/09	1.393 ( 35.4 )	.624 ( 15.8 )	.312 ( 7.9 )	0.984 ( 25.0 )	0.730 ( 18.5 )
2	A/15	1.706 ( 43.4 )	.624 ( 15.8 )	.312 ( 7.9 )	1.312 ( 33.3 )	1.050 ( 26.7 )
3	B/25	2.265 ( 57.6 )	.624 ( 15.8 )	.312 ( 7.9 )	1.852 ( 47.0 )	1.594 ( 40.5 )
4	C/37	2.900 ( 73.6 )	.624 ( 15.8 )	.312 ( 7.9 )	2.500 ( 63.5 )	2.240 ( 56.9 )
5	D/50	2.800 ( 71.1 )	.750 ( 19.1 )	.375 ( 9.5 )	2.406 ( 61.1 )	2.140 ( 54.4 )

TABLE VI					
SHELL SIZE	COML SHELL SIZE REF	E	F MAX.	G	
1	E/09	.340 ( 8.6 )	1.625 ( 41.3 )	1.750 ( 44.5 )	
2	A/15	.340 ( 8.6 )	1.625 ( 41.3 )	1.750 ( 44.5 )	
3	B/25	.343 ( 8.7 )	1.844 ( 46.8 )	2.000 ( 50.8 )	
4	C/37	.343 ( 8.7 )	1.844 ( 46.8 )	2.000 ( 50.8 )	
5	D/50	.343 ( 8.7 )	1.844 ( 46.8 )	2.000 ( 50.8 )	
6	TOP ENTRY	ONLY	CONSULT	FACTORY	



7706 E. OSIE – WICHITA, KS. 67207  
 U.S. PATENT # 5,769,665  
 CAGE CODE # 031M6

D SUB BACKSHELL, EMI / RFI  
 SPRING BAND

TOLERANCE: {Unless otherwise noted}  
 2 PLACE DEC ± .030  
 3 PLACE DEC ± .015  
 ANGULAR ± 2°

ALL BACKSHELLS INCLUDE SPRING

# DRAWING ISO 200 REV. "R"

TABLE I							
SHELL SIZE	COM'L SHELL SIZE REF	STYLE S & T SHELL I.D.	STYLE E SHELL I.D.	R MAX DASH NO.	***MAX ENTRY STYLE S & T DASH #	***MAX ENTRY STYLE E DASH #	
1	E/09	.250 ( 6.4 )	.375 ( 9.5 )	0.940 ( 23.9 )	02 ***(03)	03 ***(04)	
2	A/15	.375 ( 9.5 )	.375 ( 9.5 )	0.940 ( 23.9 )	03 ***(04)	03 ***(04)	
3	B/25	.475 ( 12.1 )	.475 ( 12.1 )	1.060 ( 26.9 )	04 ***(05)	04 ***(05)	
4	C/37	.475 ( 12.1 )	.475 ( 12.1 )	1.060 ( 26.9 )	05 ***(06)	05 ***(06)	
5	D/50	.575 ( 14.6 )	.575 ( 14.6 )	1.190 ( 30.2 )	08 ***(09)	08 ***(09)	

TABLE II							
DASH NO.	PANEL THICKNESS	E	F		G		
			SIZE 1 & 2	SIZE 3 - 5	SIZE 1 & 2	SIZE 3 - 5	
R1	.031 ( 0.8 )	.247 ( 6.3 )	1.525 ( 38.7 )	1.745 ( 44.3 )	1.656 ( 42.1 )	1.904 ( 48.4 )	
R2	.047 ( 1.2 )	.231 ( 5.9 )	1.509 ( 38.3 )	1.728 ( 43.9 )	1.640 ( 41.7 )	1.888 ( 48.0 )	
R3	.062 ( 1.6 )	.216 ( 5.5 )	1.500 ( 38.1 )	1.720 ( 43.7 )	1.625 ( 41.3 )	1.873 ( 47.6 )	
R4	.093 ( 2.4 )	.185 ( 4.7 )	1.470 ( 37.3 )	1.690 ( 42.9 )	1.594 ( 40.5 )	1.842 ( 46.8 )	
R5	.104 ( 2.6 )	.174 ( 4.4 )	1.451 ( 36.9 )	1.671 ( 42.4 )	1.583 ( 40.2 )	1.831 ( 46.5 )	
R6	.125 ( 3.2 )	.153 ( 3.9 )	1.430 ( 36.3 )	1.650 ( 41.9 )	1.563 ( 39.7 )	1.811 ( 46.0 )	
R7	.156 ( 4.0 )	.125 ( 3.2 )	1.400 ( 35.6 )	1.620 ( 41.1 )	1.531 ( 38.9 )	1.781 ( 45.2 )	
R8	.135 ( 3.5 )	.140 ( 3.6 )	1.417 ( 36.0 )	1.637 ( 41.6 )	1.550 ( 39.4 )	1.798 ( 45.7 )	
R9	.188 ( 4.8 )	.094 ( 2.4 )	1.368 ( 34.7 )	1.590 ( 40.4 )	1.500 ( 38.1 )	1.750 ( 44.5 )	
CC	N/A	.174 ( 4.4 )	1.451 ( 36.9 )	1.671 ( 42.4 )	1.583 ( 40.2 )	1.831 ( 46.5 )	
FO	N/A	.343 ( 8.7 )	1.625 ( 41.3 )	1.844 ( 46.8 )	1.750 ( 44.5 )	2.000 ( 50.8 )	

(\*\*\*) OVERSIZED VALUES LARGER THAN LISTED WILL REQUIRE A LONGER BACKSHELL ALSO NOTE THE CABLE ENTRY WILL BE LARGER THAN THE SHELL ENTRY SEE PAGE 8 FOR MORE INFORMATION

TABLE III				
CABLE ENTRY	H	J	K	S (NO. OF SLOTS)
01	0.125	0.250	0.450	( 1 ) .170°
31	0.188	0.312	0.512	( 1 ) .170°
02	0.250	0.375	0.575	( 1 ) .170°
32	0.312	0.438	0.638	( 1 ) .170°
03	0.375	0.500	0.700	( 2 ) 0.250
33	0.438	0.562	0.762	( 2 ) 0.250
04	0.500	0.625	0.825	( 2 ) 0.250
34	0.562	0.688	0.888	( 2 ) 0.250
05	0.625	0.750	0.950	( 2 ) 0.500
35	0.688	0.812	1.012	( 2 ) 0.500
06	0.750	0.875	1.125	( 2 ) 0.500
36	0.812	0.938	1.138	( 2 ) 0.500
07	0.875	1.000	1.200	( 4 ) 0.500
37	0.938	1.062	1.312	( 4 ) 0.500
08	1.000	1.125	1.325	( 4 ) 0.500

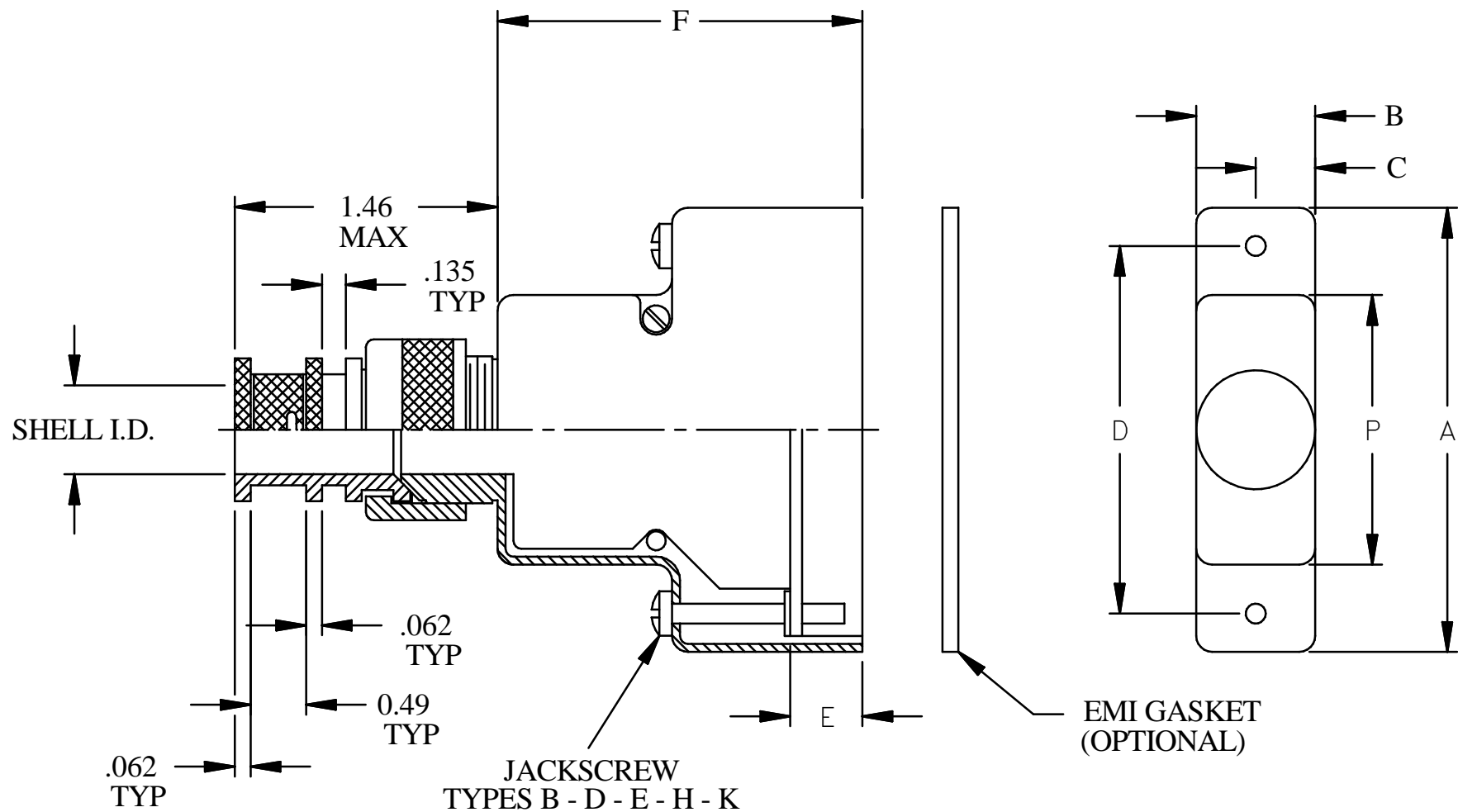


7706 E. OSIE – WICHITA, KS. 67207  
 U.S. PATENT # 5,769,665  
 CAGE CODE # 031M6

TOLERANCE: {Unless otherwise noted}  
 2 PLACE DEC ± .030  
 3 PLACE DEC ± .015  
 ANGULAR ± 2°

ALL BACKSHELLS INCLUDE SPRING

D SUB BACKSHELL, EMI / RFI  
 SPRING BAND



**ISODYNE INC**

7706 E. OSIE - WICHITA, KS. 67207

U.S. PATENT # 5,769,665

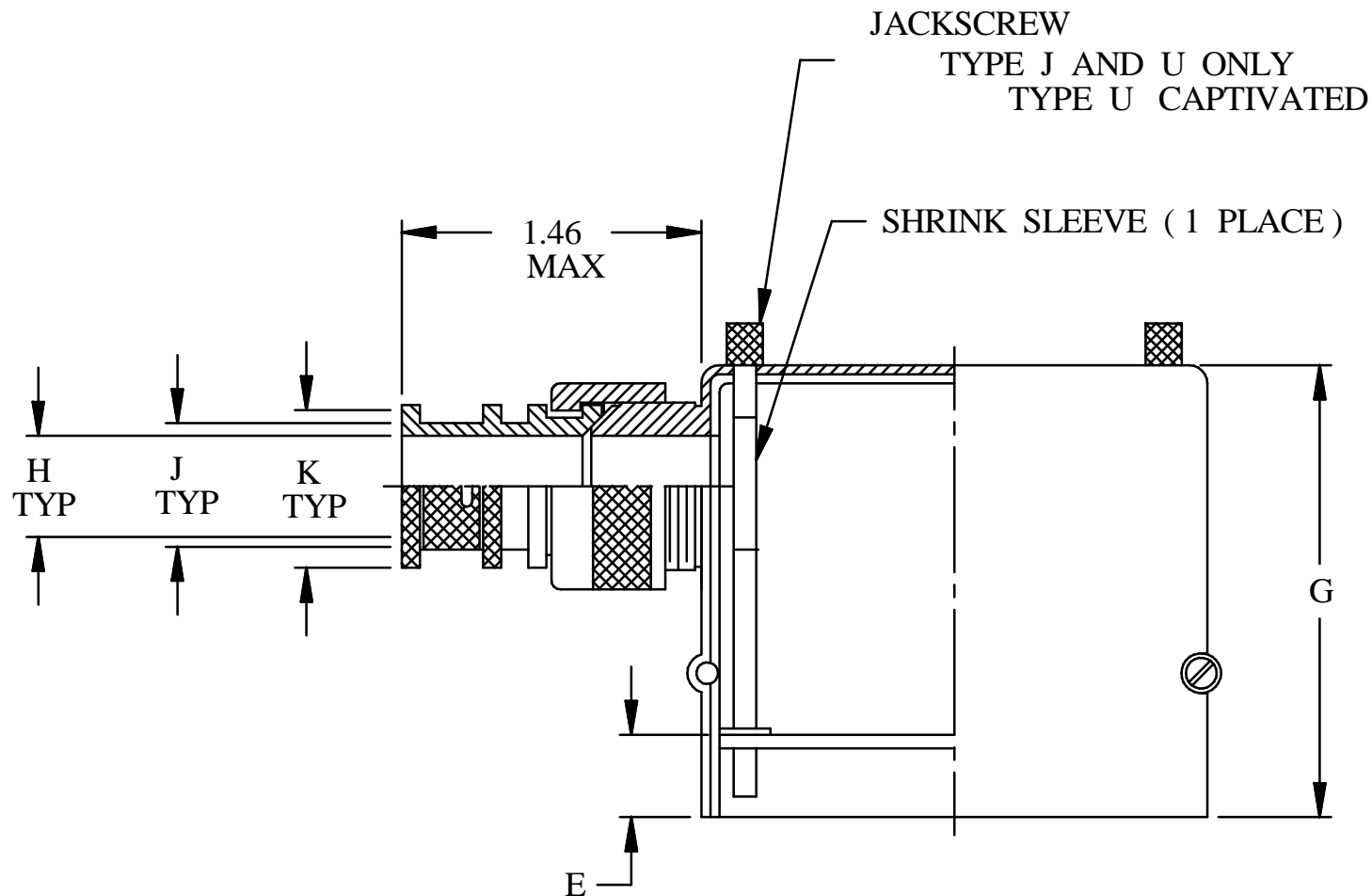
CAGE CODE # 031M6

D SUB BACKSHELL, EMI / RFI  
SPRING BAND

TOLERANCE: {Unless otherwise noted}  
2 PLACE DEC ± .030  
3 PLACE DEC ± .015  
ANGULAR ± 2°

T  
TOP ENTRY

ALL BACKSHELLS INCLUDE SPRING



ISODYNE INC

7706 E. OSIE - WICHITA, KS. 67207

U.S. PATENT # 5,769,665

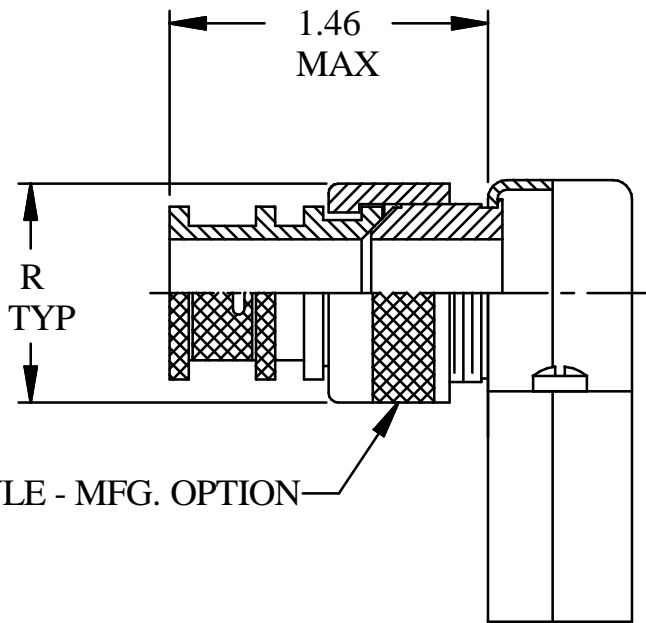
CAGE CODE # 031M6

D SUB BACKSHELL, EMI / RFI  
SPRING BAND

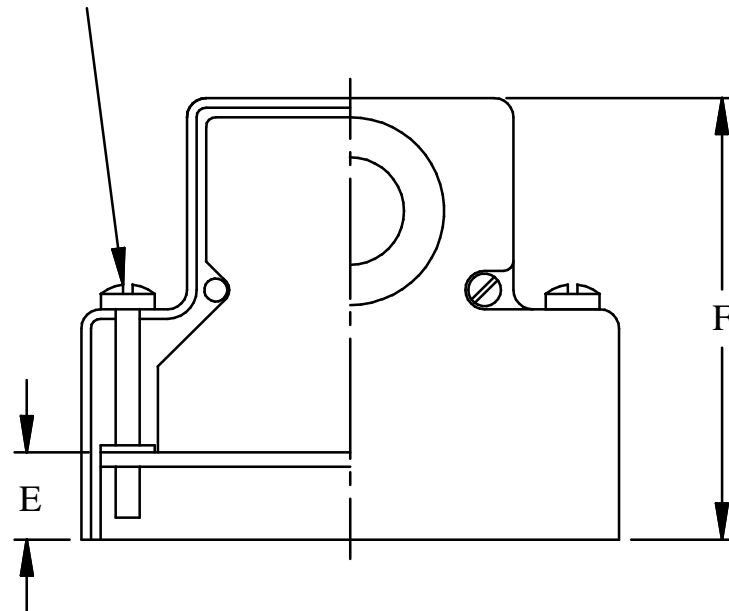
TOLERANCE: {Unless otherwise noted}  
2 PLACE DEC  $\pm .030$   
3 PLACE DEC  $\pm .015$   
ANGULAR  $\pm 2^\circ$

E  
END ENTRY

ALL BACKSHELLS INCLUDE SPRING



JACKSCREW  
TYPES B - D - E - H - K



**ISODYNE INC**

7706 E. OSIE - WICHITA, KS. 67207

U.S. PATENT # 5,769,665

CAGE CODE # 031M6

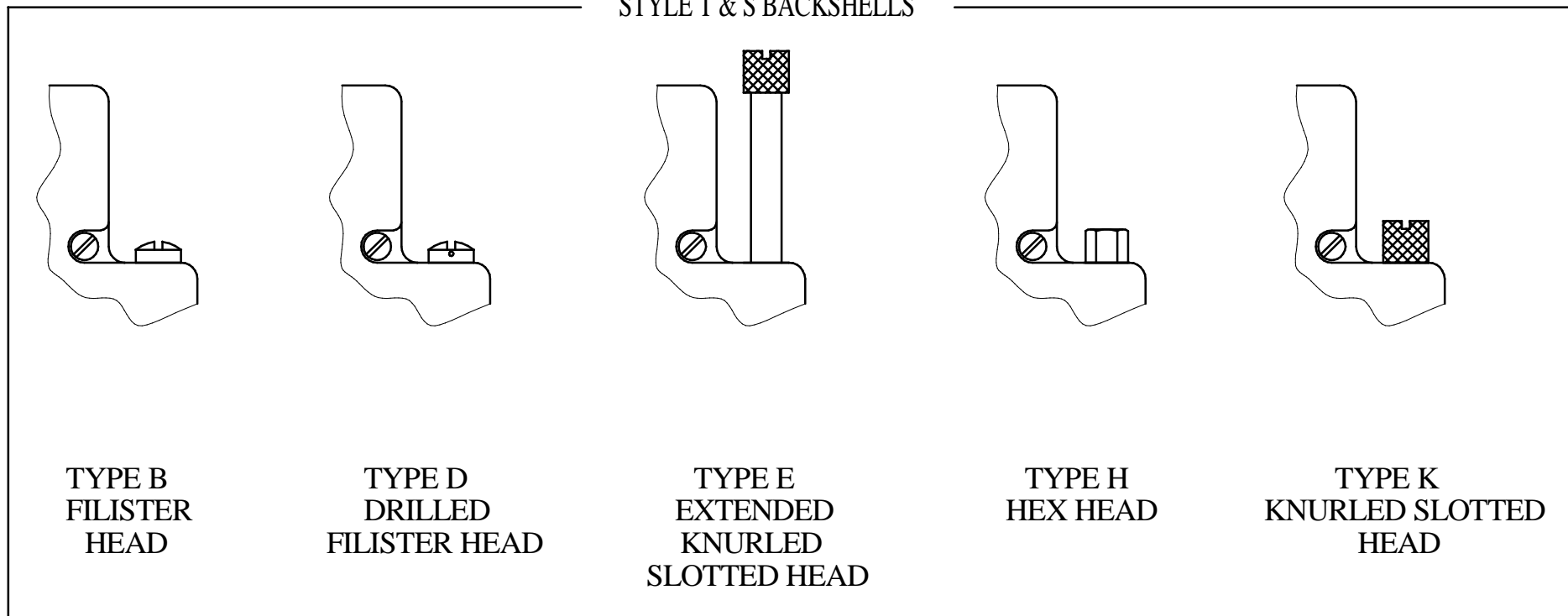
D SUB BACKSHELL, EMI / RFI  
SPRING BAND

S  
SIDE ENTRY

TOLERANCE: {Unless otherwise noted}  
2 PLACE DEC ± .030  
3 PLACE DEC ± .015  
ANGULAR ± 2°

ALL BACKSHELLS INCLUDE SPRING

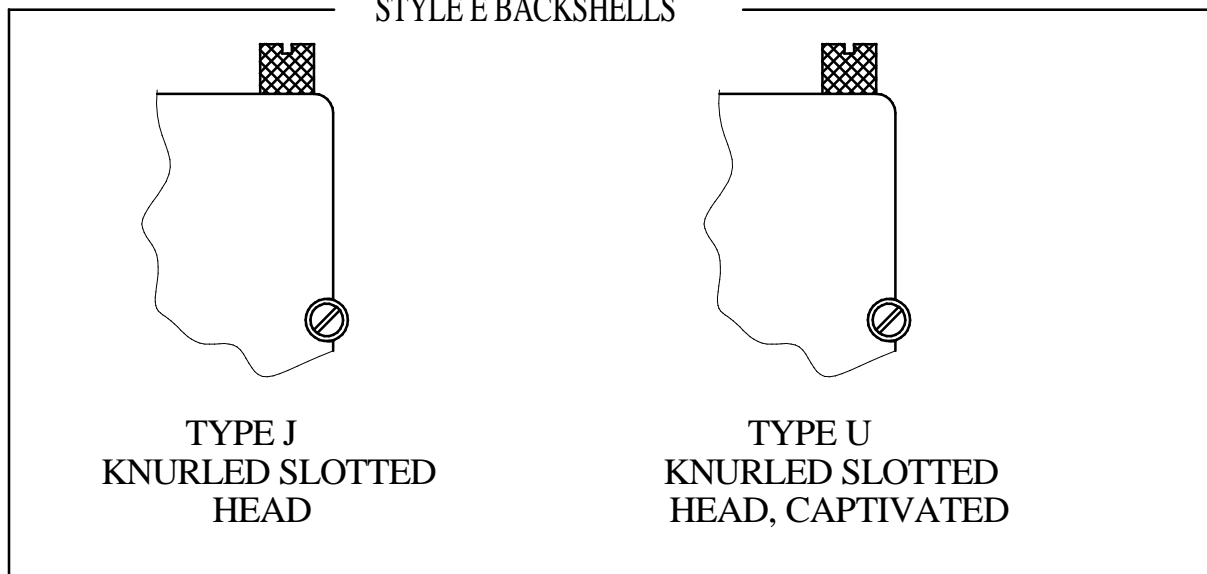
STYLE T & S BACKSHELLS



NOTES:

1. UNLESS OTHERWISE NOTED, ALL JACKSCREWS HAVE 4-40 UNC-2A THREADS TO MATE WITH M24308/26 FEMALE SCREWLOCKS OR 559-001 MOUNTING KITS.
2. NOT APPLICABLE TO CABLE-TO-CABLE APPLICATIONS.

STYLE E BACKSHELLS



**ISODYNE** INC

7706 E. OSIE – WICHITA, KS. 67207

U.S. PATENT # 5,769,665

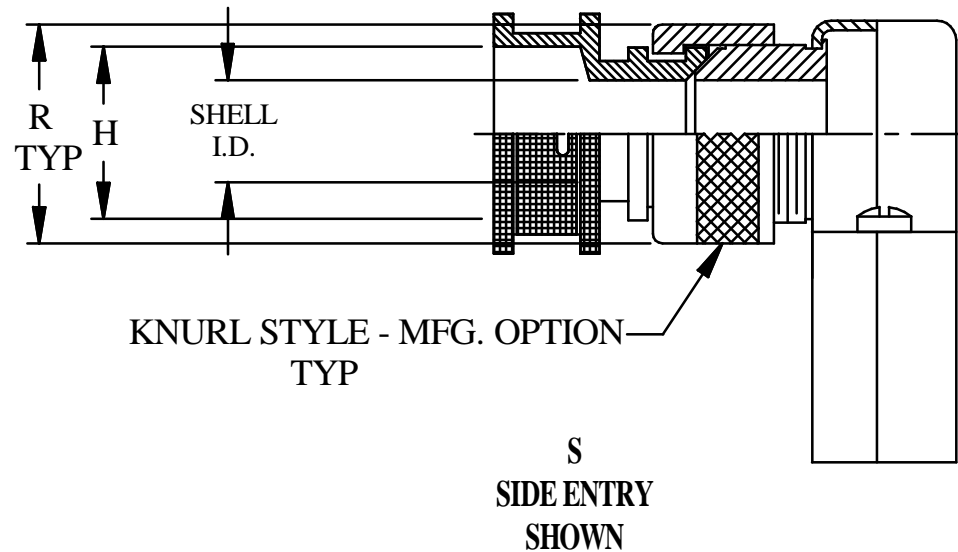
CAGE CODE # 031M6

D SUB BACKSHELL, EMI / RFI  
SPRING BAND

# DRAWING ISO 200 REV. "R"

VALUES LARGER THEN LISTED WILL REQUIRE A LONGER BACKSHELL  
 ALSO NOTE THE CABLE ENTRY WILL BE LARGER THEN THE SHELL ENTRY

EXAMPLE PART NUMBER - ISOT200NF103R7K1S



(\*\*\*)AVAILABLE FOR  
 ALL  
 CONFIGURATIONS

**ISODYNE INC**

7706 E. OSIE – WICHITA, KS. 67207

U.S. PATENT # 5,769,665

CAGE CODE # 031M6

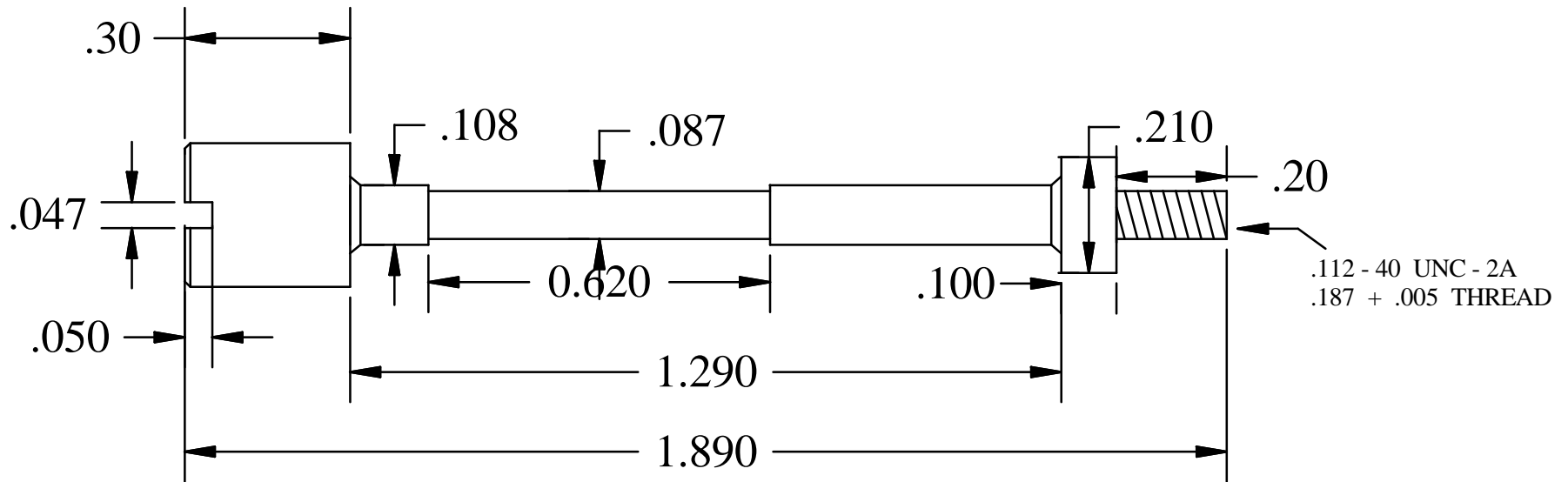
D SUB BACKSHELL, EMI / RFI  
 SPRING BAND

TOLERANCE: {Unless otherwise noted}  
 2 PLACE DEC ± .030  
 3 PLACE DEC ± .015  
 ANGULAR ± 2°

ALL BACKSHELLS INCLUDE SPRING



DISTRIBUTE PER CUSTOMER REQUEST ONLY



ISODYNE INC

7706 E. OSIE - WICHITA, KS. 67207

U.S. PATENT # 5,769,665

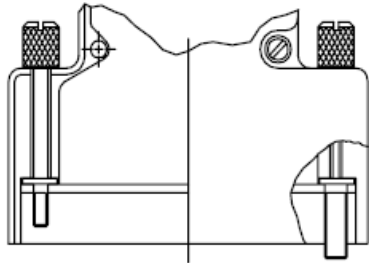
CAGE CODE # 031M6

D SUB BACKSHELL, EMI / RFI  
SPRING BAND

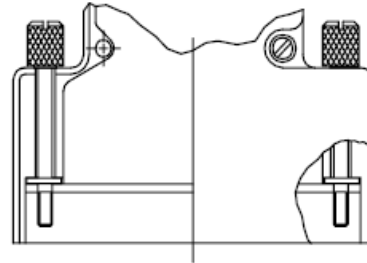
TOLERANCE: {Unless otherwise noted}  
2 PLACE DEC  $\pm .030$   
3 PLACE DEC  $\pm .015$   
ANGULAR  $\pm 2^\circ$

ALL BACKSHELLS INCLUDE SPRING

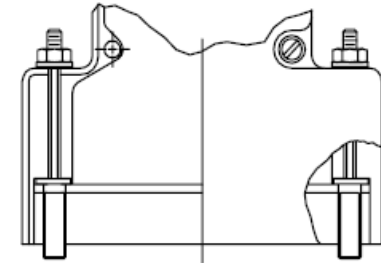
### POLARIZING JACKSCREW OPTIONS



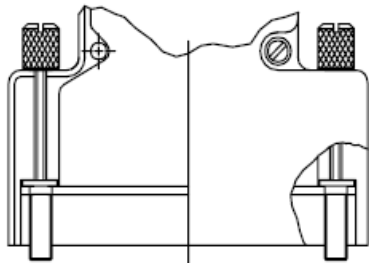
Type F  
Turnable Male & Female



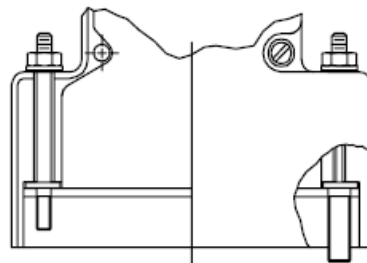
Type M  
Turnable Males



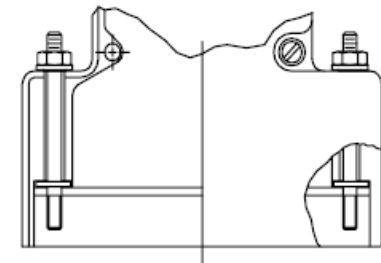
Type P  
Fixed Females



Type L  
Turnable Females



Type N  
Fixed Male & Female



Type R  
Fixed Males

BORROWED FROM GLENAIR

**ISODYNE** INC

7706 E. OSIE – WICHITA, KS. 67207

U.S. PATENT # 5,769,665

CAGE CODE # 031M6

D SUB BACKSHELL, EMI / RFI  
SPRING BAND